

# PRODUCT INFORMATION PACKET

Model No: 5KH36DNA780X  
Catalog No: HG716  
1/4,1725,DP,48Y,1/60/115  
Direct Drive Blower and Unit Heater



Regal and Marathon are trademarks of Regal Beloit Corporation or one of its affiliated companies.

©2018 Regal Beloit Corporation, All Rights Reserved. MC017097E



**Nameplate Specifications**

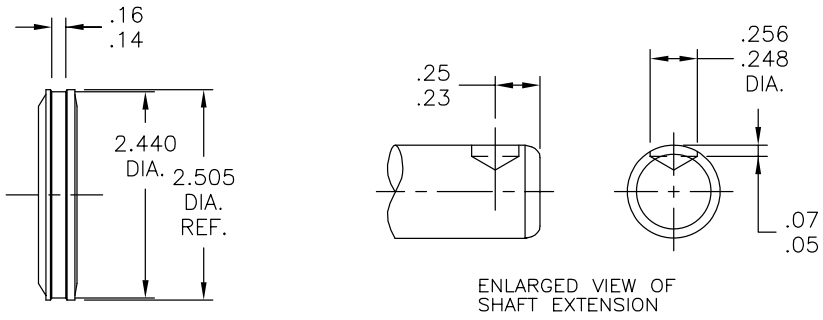
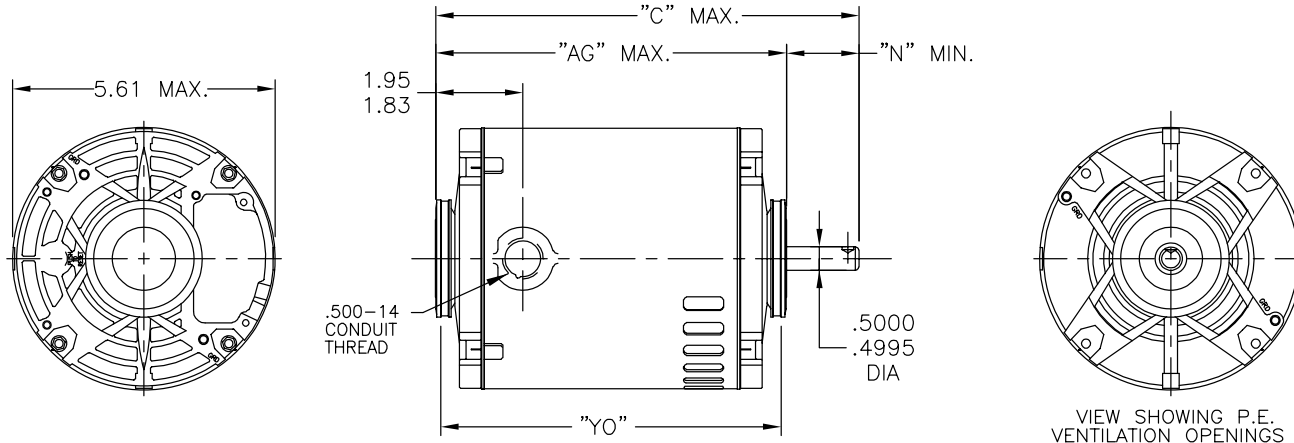
Output HP	<b>1/4 Hp</b>	Output KW	<b>0.19 kW</b>
Frequency	<b>60 Hz</b>	Voltage	<b>115 V</b>
Current	<b>5.7 A</b>	Speed	<b>1725 rpm</b>
Service Factor	<b>1</b>	Phase	<b>1</b>
Efficiency	<b>52.8 %</b>	Duty	<b>Continuous</b>
Insulation Class	<b>B</b>	KVA Code	<b>S</b>
Frame	<b>48Y</b>	Enclosure	<b>Drip Proof</b>
Overload Protector	<b>AUTO</b>	Ambient Temperature	<b>40 °C</b>
Drive End Bearing Size	<b>0.5</b>	Opp Drive End Bearing Size	<b>0.5</b>
UL	<b>Recognized</b>	CSA	<b>Yes</b>
CE	<b>N</b>		

**Technical Specifications**

Electrical Type	<b>Split Phase</b>	Starting Method	<b>SM</b>
Poles	<b>4</b>	Rotation	<b>Counterclockwise/Clockwise</b>
Mounting	<b>Resilient Rings</b>	Motor Orientation	<b>ANY</b>
Drive End Bearing	<b>BALL</b>	Opp Drive End Bearing	<b>BALL</b>
Frame Material	<b>Rolled Steel</b>	Overall Length	<b>9.01 in</b>
Frame Length	<b>6.22 in</b>	Shaft Diameter	<b>0.5 in</b>
Shaft Extension	<b>0.52 in</b>	Thru-bolts Extension	<b>0</b>
Outline Drawing	<b>52A109862P1</b>	Connection Diagram	<b>52A105379AA</b>

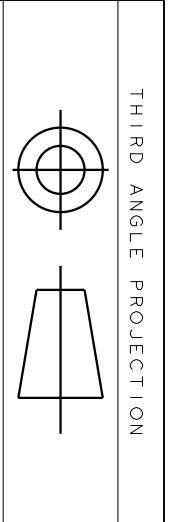
**This is an uncontrolled document once printed or downloaded and is subject to change without notice. Date Created: 10/08/2018**

52A109862



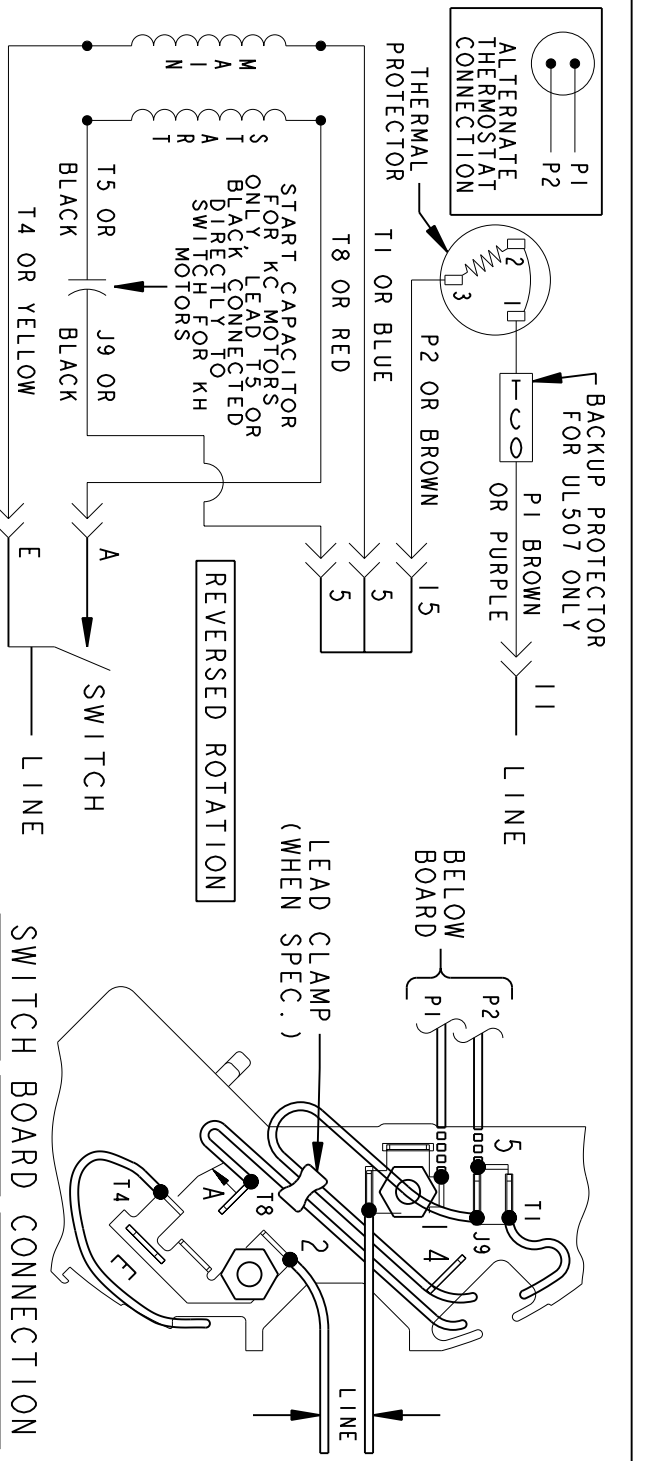
2	KH	37	48Y	9.41	8.77	8.52 8.42	0.52	6.62
1	KH	36	48Y	9.01	8.37	8.12 8.02	0.52	6.22
P	TYPE	RBC SIZE	NEMA FRAME	"C"	"AG"	"YO"	"N"	SHL.LGTH REF .

				TOLERANCES UNLESS SPECIFIED		<b>REGAL-BELOIT CORPORATION</b>		DRAWN MADHU 12/15/06	
		DEC.	INCHES					CHK	
		.X	±.1			APPD			
		.XX	±.03	TITLE OUTLINE		SCALE	NTS		
2	NO CHGS. P2D CONV. PER NMR-0065625/ECO-0058756			KR	09/02/14	PKG .XXX	±.005	DRIP PROOF - RESIL. RING - SLV/BALL BRG	REF
1	CHANGES MADE AS PER ISAAC 06-0214			PMB	01/31/06	.XXXX	±.0005	MAT'L.	FMF
NO.	REVISION			BY & DATE	CHK	ANG	±7'30"	FINISH	PREV
THIS DRAWING IN DESIGN AND DETAIL IS OUR PROPERTY AND MUST NOT BE USED EXCEPT IN CONNECTION WITH OUR WORK ALL RIGHTS OF DESIGN AND INVENTION ARE RESERVED THIS IS AN ELECTRONICALLY GENERATED DOCUMENT - DO NOT SCALE THIS PRINT				RFP	CAD FILE 52A109862			SIZE	DRAWING NO. PAGE 1 OF 1 REV.
				DIST	WP	A		52A109862	2



REV.	DESCRIPTION	DATE	APPROVED
6	UPDATED FORMAT	12/01/05	MAM

EITHER ROTATION-SINGLE VOLTAGE-TYPE KC OR KH-WITH THERMAL PROTECTOR



NOTE #1 - TO REVERSE ROTATION INTERCHANGE RED (T8) AND BLACK (J9-KC OR T5-KH) LEADS.  
 NOTE #2 - WHEN MORE THAN ONE CAPACITOR IS USED CONNECT IN PARALLEL.

SWITCH (C) - 115D958AB REF. DIAG. - 121A851 CONN. LABEL - 52X332048

SIGNATURES	DATE
MODEL M.D.PAPE	06/29/87
DETAIL	
CHECKED	
ENGRG	
MFG	
QUALITY	
ISSUED	M.D.P. 03/08/00
SOLID MODEL: 52A105379AA	

**REGAL-BELOIT CORPORATION**

**REGAL-BELOIT**

**CONNECTION DIAGRAM**

**FMF - 30 FR SWITCH REDESIGN**

SCALE: 1.000 REF. No.:

52A105379AA

REV 6

SHEET 1 of 1